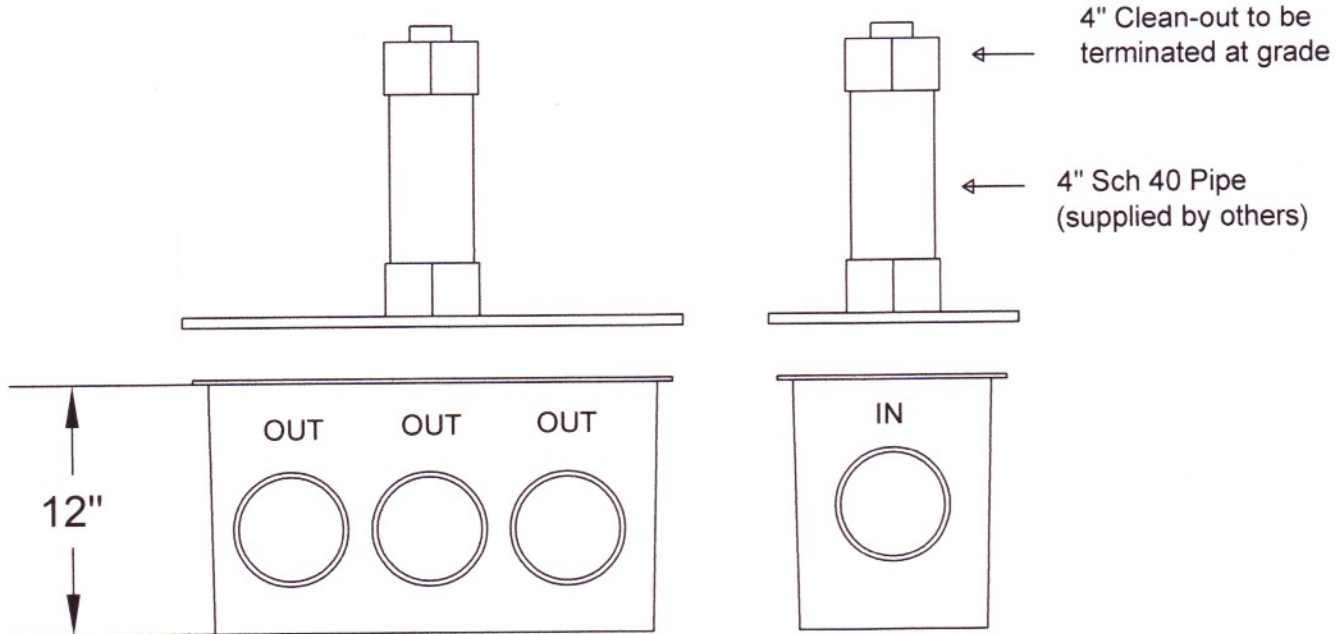
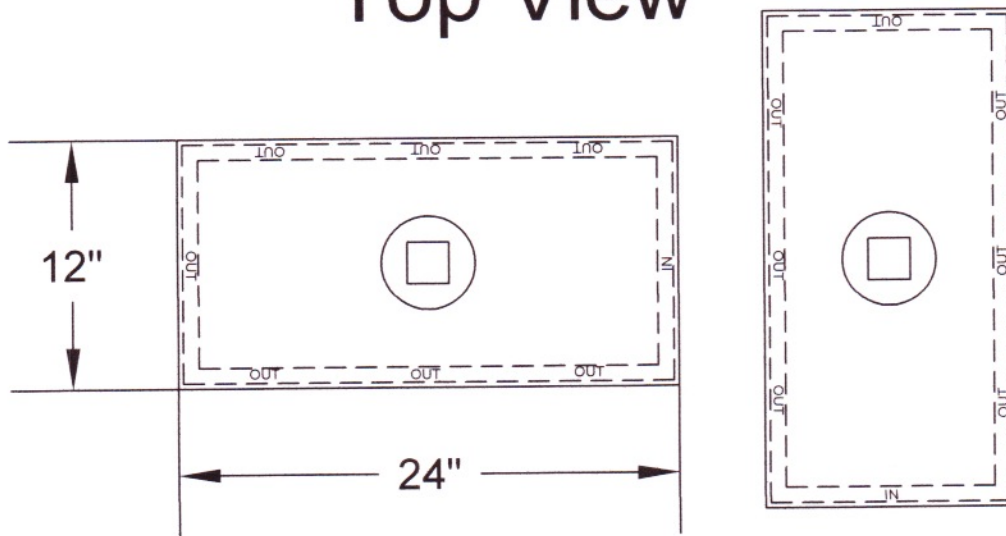


Side View



Top View



8 port Fiberglass D-Box w/ Inspection port
(7 outlets, 1 inlet)

DWG REF: DB-SHORT

SCALE: FULL

Virginia Soils, Inc

P.O. Box 236
Fork Union, VA 23055
(434) 842-1851 OFFICE
(208) 330-3869 FAX

NO PART OF THIS DRAWING MAY BE REPRODUCED, STORED IN ANY RETRIEVAL SYSTEM, OR TRANSMITTED IN ANY FORM OR BY ANY MEANS, ELECTRONIC, MECHANICAL, PHOTOCOPYING, RECORDING OR OTHERWISE WITHOUT THE PRIOR WRITTEN PERMISSION OF VIRGINIA SOILS, INC.